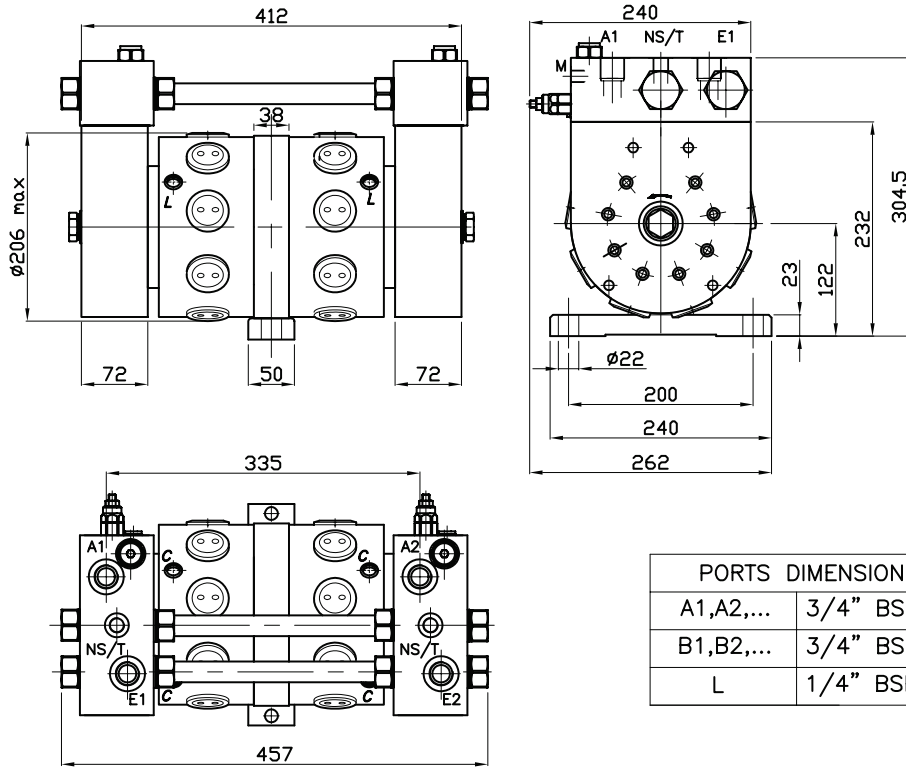


## SIZE

### FD 50-75-90-100 D21 VB



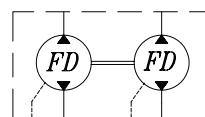
PORTS DIMENSION	
A1, A2, ...	3/4" BSPP
B1, B2, ...	3/4" BSPP
L	1/4" BSPP

## TECHNICAL DATA

### FD 50-75-90-100 D21 VB

MODEL	Flow per section		Displacement per section cc/Rev	Working pressure			Power per section kW
	l/min (cont)	l/min (max)		continuous bar	intermittent bar	maximum bar	
FD50	60	80	50	250	280	320	20
FD75	90	120	76	250	280	320	30
FD90	110	140	89	250	280	320	35
FD100	125	160	101	250	280	320	40

Flow Divider Symbol  
(with 2 sections)



**Dry weight** 65 kg

**Max case pressure** 20 bar

Refer to page 29 for valve technical data, valve dimensions and hydraulic circuit.